



# Mining and metallurgy regions of EU – MIREU

Juha Kaija, Laura S. Lauri & MIREU Team

[juha.kaija@gtk.fi](mailto:juha.kaija@gtk.fi); [laura.lauri@gtk.fi](mailto:laura.lauri@gtk.fi)

Peer Review Visit – REMIX Mining Conference  
20-22 March 2018, Valladolid, Spain

## MIREU figures

- Call: H2020-SC5-2016-2017 - Greening the Economy, CSA
- Total budget: 2 999 725 €, Person-months: 312
- Duration: 1.12.2017 – 30.11.2020
- Coordinator: GTK, Scientific Coordinator: Laura S. Lauri (Ore Geology and Mineral Economics) & Project Manager: Juha Kaija (Bedrock Construction and Site Assessment)
- 30 partners from 14 European countries + Chile, 16 European mining and metallurgy areas - more will be invited!
- **Kick-off meeting in Espoo 9.-10.1.2018**
- **Regional Kick-off for the Region of Saxony, Germany, 1<sup>st</sup> March 2018**





## What was behind the call?

- Europe has mining & metallurgy regions but real cooperation between them is largely lacking
- Decline in public acceptance of raw material extraction
- General lack of awareness of the importance of mineral raw materials in people's lives
- Socio-economic changes in mining and metallurgy regions → losing economic power and inhabitants
- **However, the importance of raw materials extraction is still well-recognised at European level and by the mining industry**



Aitik Mine, Sweden. Photo: Jutta Karja 2012



Copper from Cobaltas, Chile. Photo: Jutta Karja

- MIREU was initiated and very strongly lobbied to DG GROW by the Regional Council of Lapland (RCL) about 3 years ago
- EIP Raw Materials Commitment February 2016 lead by RCL:
  - ***Regions involved started to work to improve raw materials value chain policies and are actively seeking synergies between regional development programmes and strategies such as smart specialisation (RIS3)***



# Importance of MIREU to EC



- ***High level attention and support from DG GROW – close interaction!***
- ***High priority project for the EC with respect to the new EU Industrial Strategy (unveiled on 18<sup>th</sup> September, 2017)***
- MIREU will be an important tool to not only involve the ***national***, but also the ***regional level***
- MIREU should reflect ***the lessons learned*** from previous Pillar 2 projects
- **Close interaction with REMIX is a necessity!**
- Importance of ***direct contacts with the people*** from regions and municipalities

## Main objectives



- Enhance the cooperation between different mining & metallurgy regions
- Focus on improving the framework conditions, economic competence and social license to operate
- Establish **Council of Mining and Metallurgy Regions of Europe (CoMMER)**
  - Network will help the regions to share knowledge and experiences when facing the challenges to establish and maintain an extractive industry

## Council of Mining and Metallurgy Regions of Europe - CoMMER

- Permanent **regional network and raw materials-focused working group**, incorporated within and operated by **ERRIN (European Regions Research and Innovation Network)**
  - ERRIN is a platform of more than 120 regional stakeholders organisations (24 countries) most of whom are represented by their Brussels offices.
- CoMMER provides a forum for sustained interaction between different stakeholders within the regions as well across the regions.

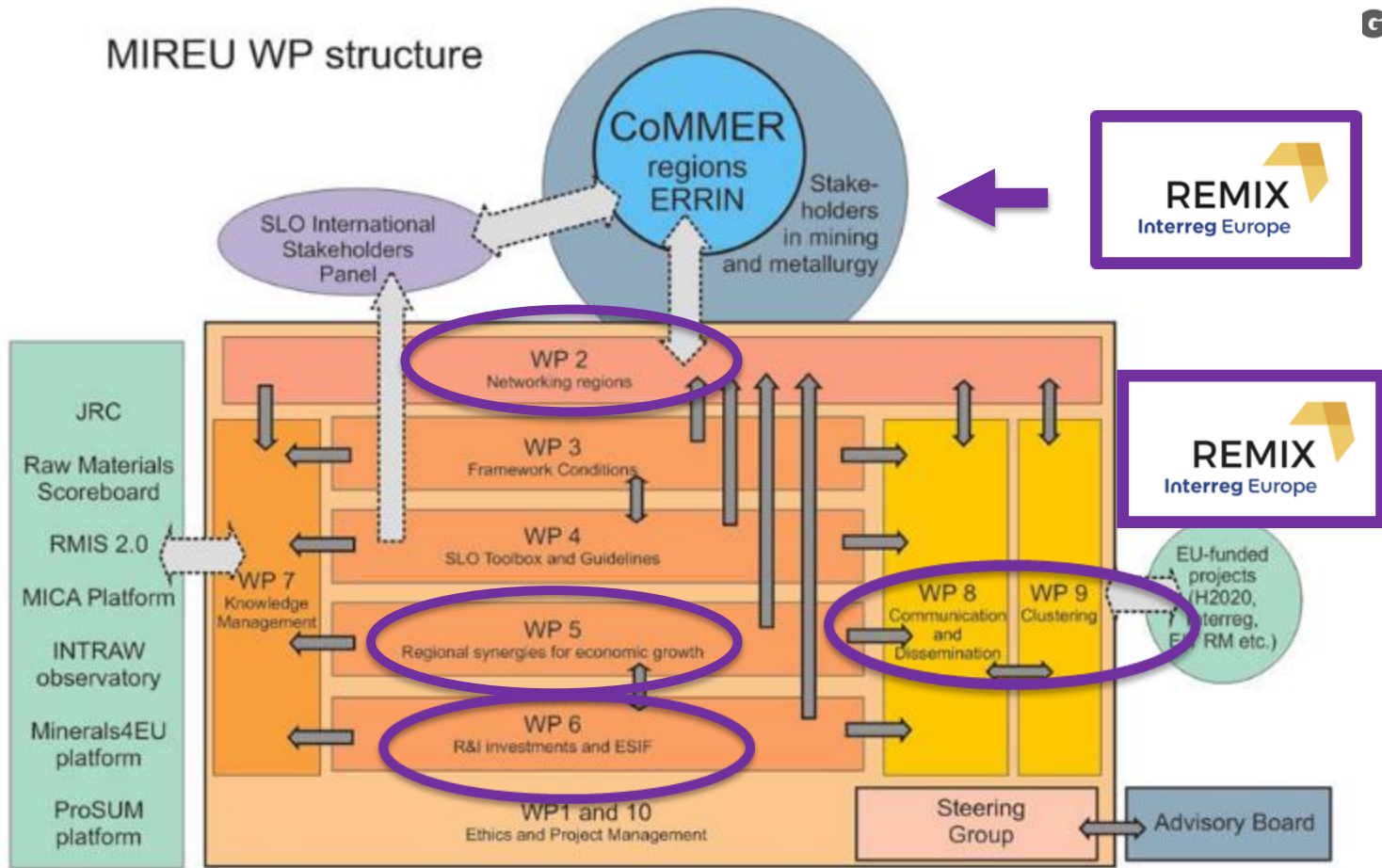




# MIREU regions in January 2018

Region and country	Raw Material Commodities in terms of EIP RM
<b>Alentejo PT</b>	Cu, Zn, Ag, Sn, Au, U
<b>Andalucía ES</b>	Cu, Zn, Pb, Sn, Sr, Au, Ag, Fe, F, Ba, industrial minerals
<b>Aragon ES</b>	C, NaCl, KCl
<b>Castilla y Leon ES</b>	W, Mg, Fe, U, Cu, Pb, Zn, Au, industrial minerals
<b>Cornwall UK</b>	Sn, W, Li, In, industrial minerals
<b>Ireland IE</b>	Zn, Pb, Cu, Au, Ag, Li, Sn, Ta, PGE, REE, Fe, industrial minerals
<b>Kosice SR</b>	Mgs, Au, Cu, Fe
<b>Lapland FI</b>	Au, Cr, Ni, Cu, Co, PGM, industrial minerals, gemstones
<b>Lower Silesia PL</b>	Cu, Pb, Zn
<b>Maramures RO</b>	Pb, Zn, Cu, Au, Ag
<b>Northern Karelia FI</b>	Cu, Zn, Tlc, Dol, Au, Ag, Ni, Co, industrial minerals
<b>Saxony DE</b>	Sn, W, Li, F, Ga, In, REE, industrial minerals
<b>Stereia Ellada GR</b>	Al, Ni, Cr, industrial minerals
<b>Styria AT</b>	Fe, industrial minerals
<b>Västerbotten SE</b>	Au, Zn, Cu, Ag, industrial minerals

# MIREU WP structure



## MIREU – REMIX connections



- REMIX is the main project that MIREU will cluster with – sister/brother project!
- Eight mutual partners in MIREU and REMIX, including the REMIX coordinator Regional Council of Lapland
- REMIX and MIREU are connected in many ways and should feed data to each other
- Clustering and cooperation is really natural!
- However, the communication between these sister projects should be more regular – and it will be!!

# Upcoming events



- **H2020 Project Cluster Conference, Brussels 19<sup>th</sup> April 2018**
- **1<sup>st</sup> MIREU SLO Workshop, *Theme: Linking SLO and Sustainability*, Rovaniemi, Finland, 8 - 9 May 2018.**
- **2<sup>nd</sup> SLO Workshop, *Theme: SLO and Regional Development Perspectives*, November 2018 in Leoben, Austria.**
- **3<sup>rd</sup> SLO Workshop with the theme Ensuring SLO is Adaptive and Resilient May 2019 in Brussels, Belgium**
- **Six Stakeholder Workshops (MAY19, AUG19, OCT19, FEB20, AUG20)**
  - Themes: ESIF & regional investments, Smart Specialisation potential, clustering potential, cultural heritage, research and academia potential of regions.
- **Three Clustering Workshops** jointly arranged with other Policy projects during the RMWs in Brussels
- **Final Conference and 1<sup>st</sup> meeting of CoMMER, October 2020**

# Thank you for your attention!



**ICAMCyL**

## MIREU Internet and social media



**MIREU website:** <http://mireu.eu>

**Twitter:** [https://twitter.com/MIREU\\_EU](https://twitter.com/MIREU_EU)



**LinkedIn:**

<https://www.linkedin.com/company/11376706/>



**Facebook:**

<https://www.facebook.com/MIREU.EU>